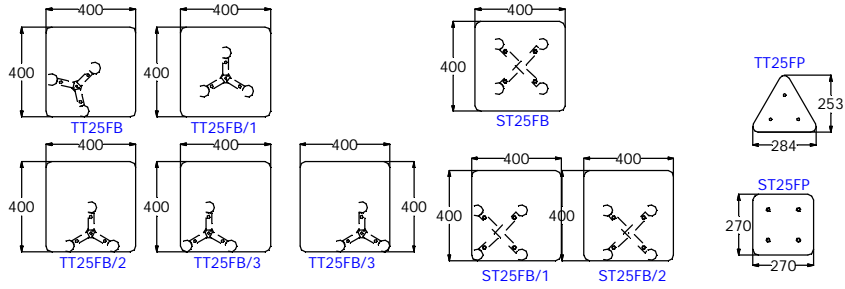
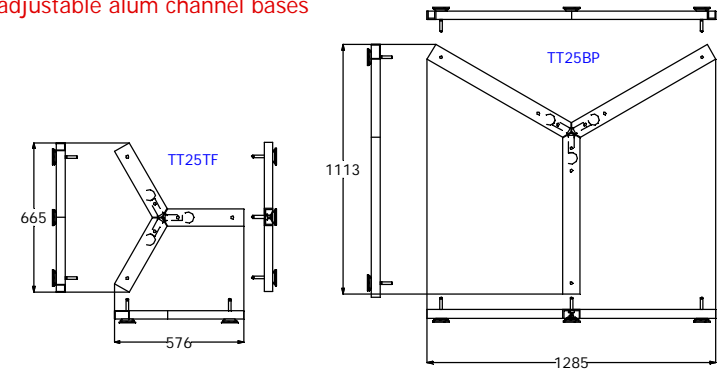


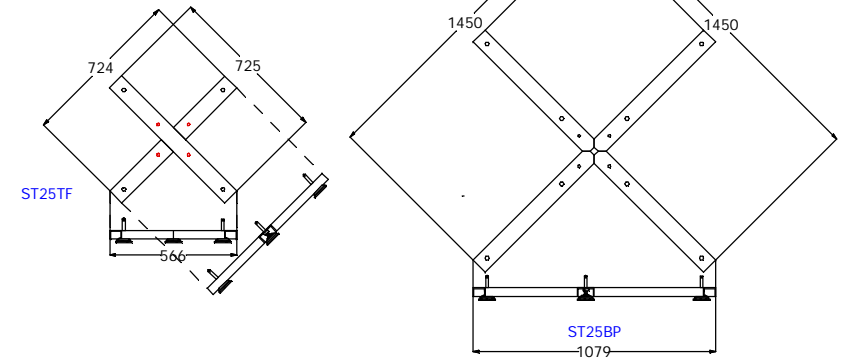
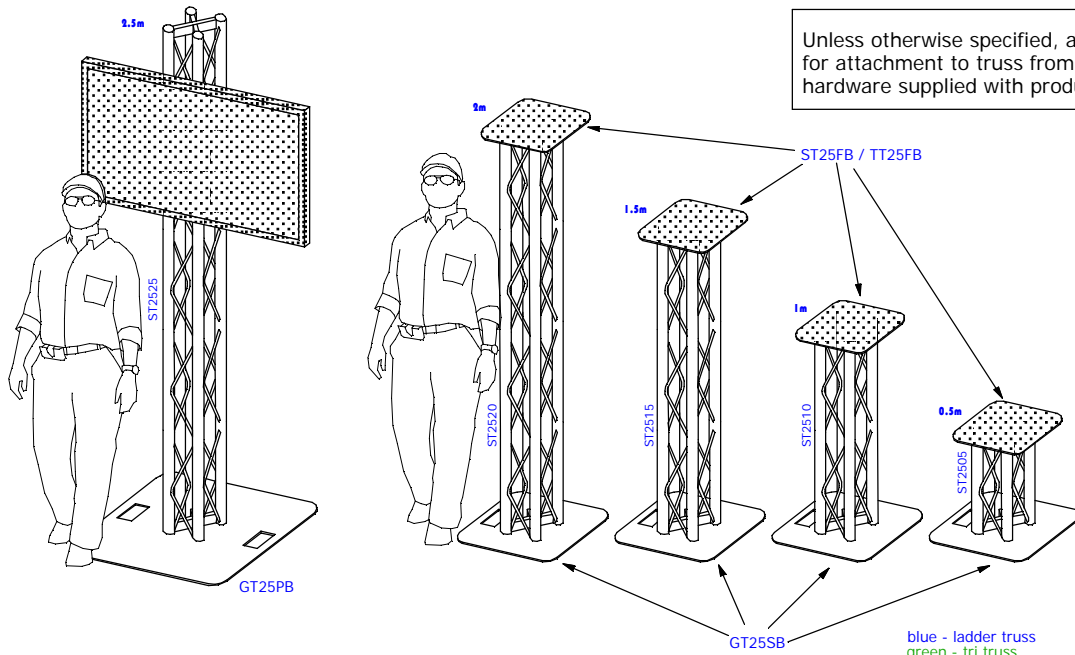
alum flat bases



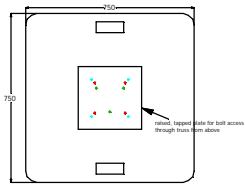
adjustable alum channel bases



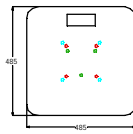
Unless otherwise specified, all holes M10 countersunk, for attachment to truss from below (all necessary hardware supplied with product)



flat steel bases



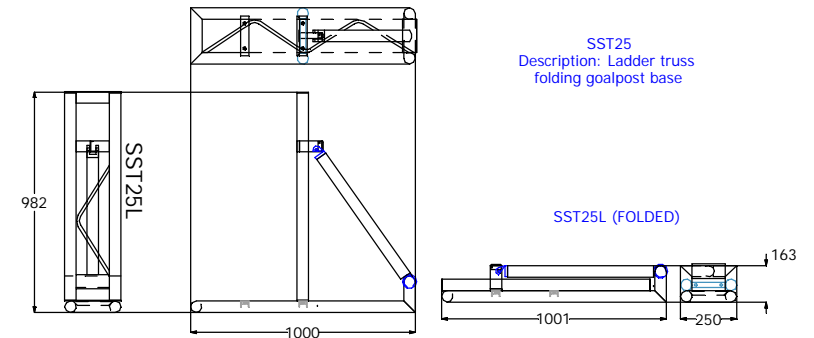
Part no: GT25PB  
Description: large steel plate with tapped plinth, for larger tower applications



Part no: GT25SB  
Description: Generic (i.e. multi-truss series) steel flat base for simple tower applications, such as moving head pillar, lectern, goalpost



GT25GB  
Description: Generic (i.e. multi-truss series) steel flat base for simple goalpost applications, such as backdrops, screens start/finish lines



SST25  
Description: Ladder truss folding goalpost base

SST25L (FOLDED)